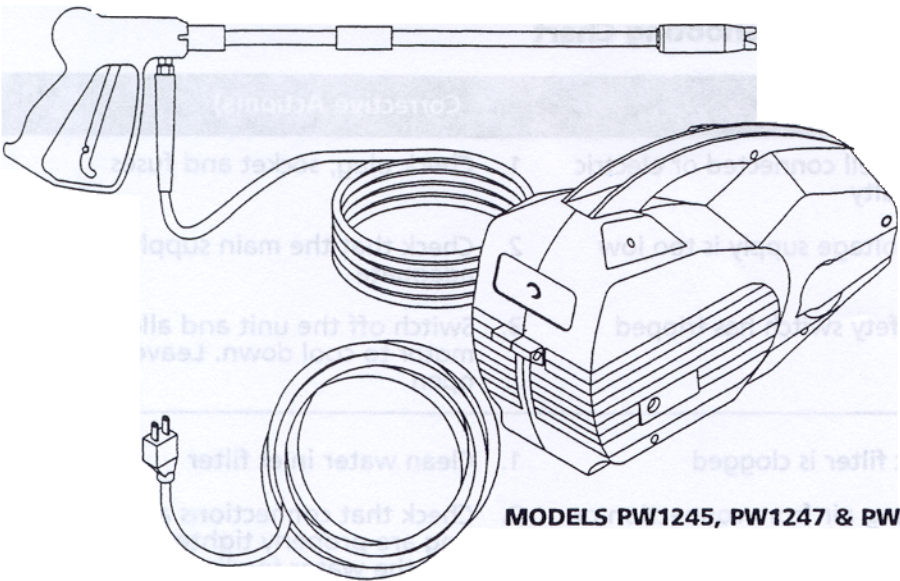




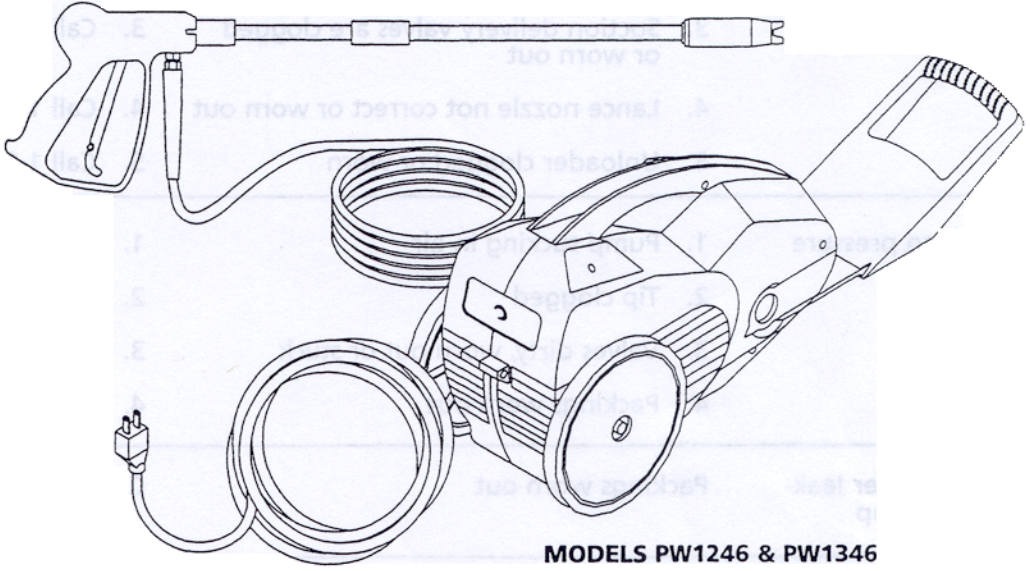
Electric High Pressure Washers

Operating Instructions and Parts Manual

Models: PW1245, PW1246, PW1247
PW1345 & PW1346



MODELS PW1245, PW1247 & PW1345



MODELS PW1246 & PW1346

For Household Use Only!

Carefully read and understand these instructions before operating this pressure washer.



Approved # 7P64

Maintenance Instructions

INLET FILTER

Always check the inlet filter for debris. Remove filter by placing finger into inlet connector and pulling out the filter

OIL

The pressure washers have a closed lubrication system. No additional oil is

needed. If an oil leak occurs, please call 1-800-330-0712 for assistance

DETERGENT APPLICATOR

Run clear water through the applicator after each use.

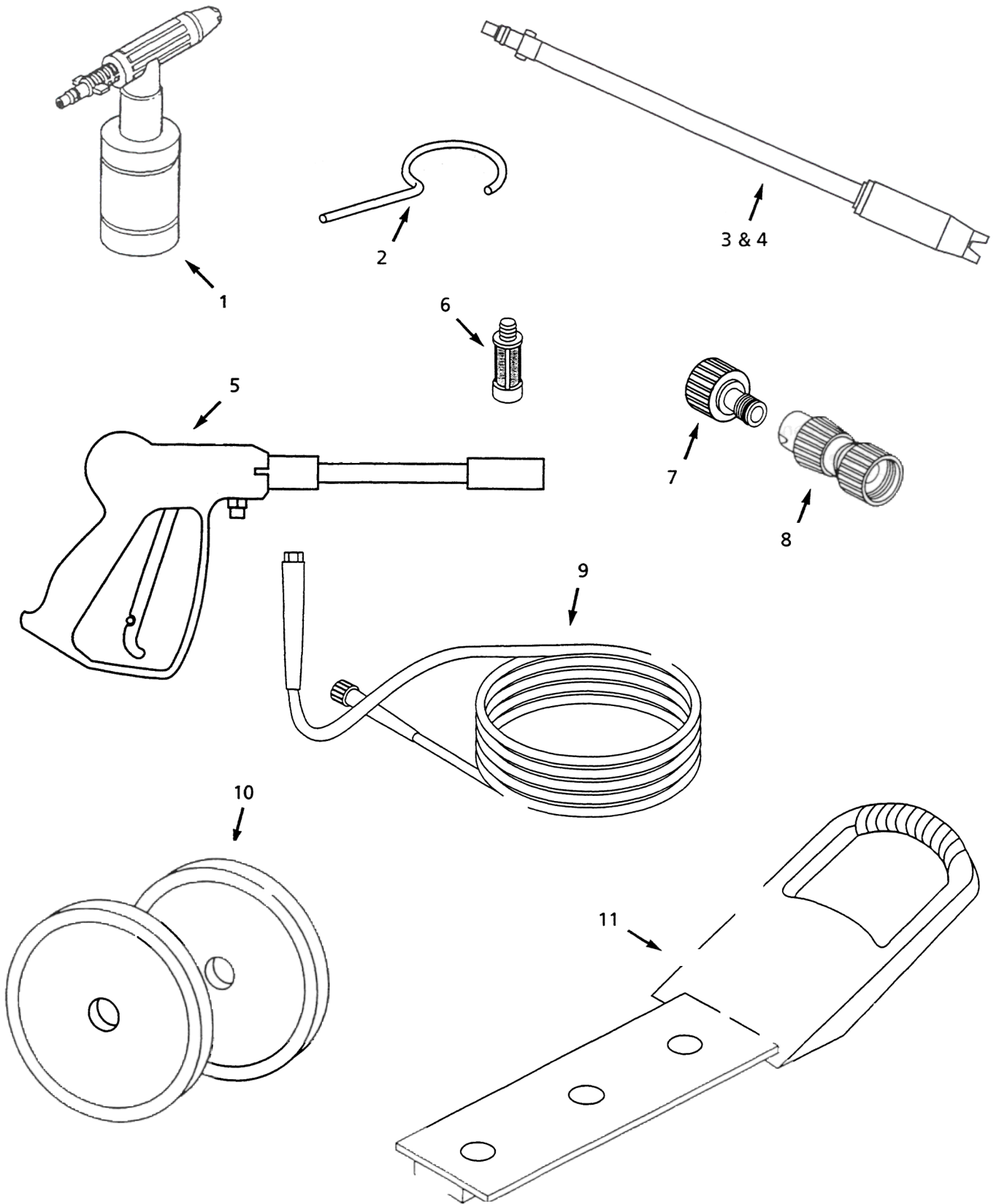
TIP

To clean the tip in the lance, remove the lance from the gun, adjust the lance to the wide spray pattern position. Insert the tip cleaner provided into the tip to ream any debris out of the orifice.

Troubleshooting Chart

Symptom	Possible Cause(s)	Corrective Action(s)
Pressure Washer does not start up	1. Plug is not well connected or electric socket is faulty	1. Check plug, socket and fuses
	2. The main voltage supply is too low	2. Check that the main supply voltage is adequate
	3. Thermal safety switch has tripped	3. Switch off the unit and allow the motor to cool down. Leave the lance open
Pump does not reach necessary pressure	1. Water inlet filter is clogged	1. Clean water inlet filter
	2. Pump sucking air from connection or hoses	2. Check that connections and locking ring are properly tightened. Check that the water feeding hose is not leaking
	3. Suction delivery valves are clogged or worn out	3. Call 1-800-330-0712
	4. Lance nozzle not correct or worn out	4. Call 1-800-330-0712
	5. Unloader clogged or worn	5. Call 1-800-330-0712
Fluctuating pressure	1. Pump sucking in air	1. Tighten hose connection
	2. Tip clogged	2. Clean Tip with tip cleaner
	3. Valves dirty, worn out or stuck	3. Call 1-800-330-0712
	4. Packings worn out	4. Call 1-800-330-0712
Excessive water leaking from pump	Packings worn out	Call 1-800-330-0712
Motor stops suddenly	Thermal safety switch has tripped due to overheating	1. Check that the main supply voltage corresponds to the specifications
		2. Switch the unit off and let it cool down

For Replacement Parts, Call 1-800-330-0712⁴⁷⁷



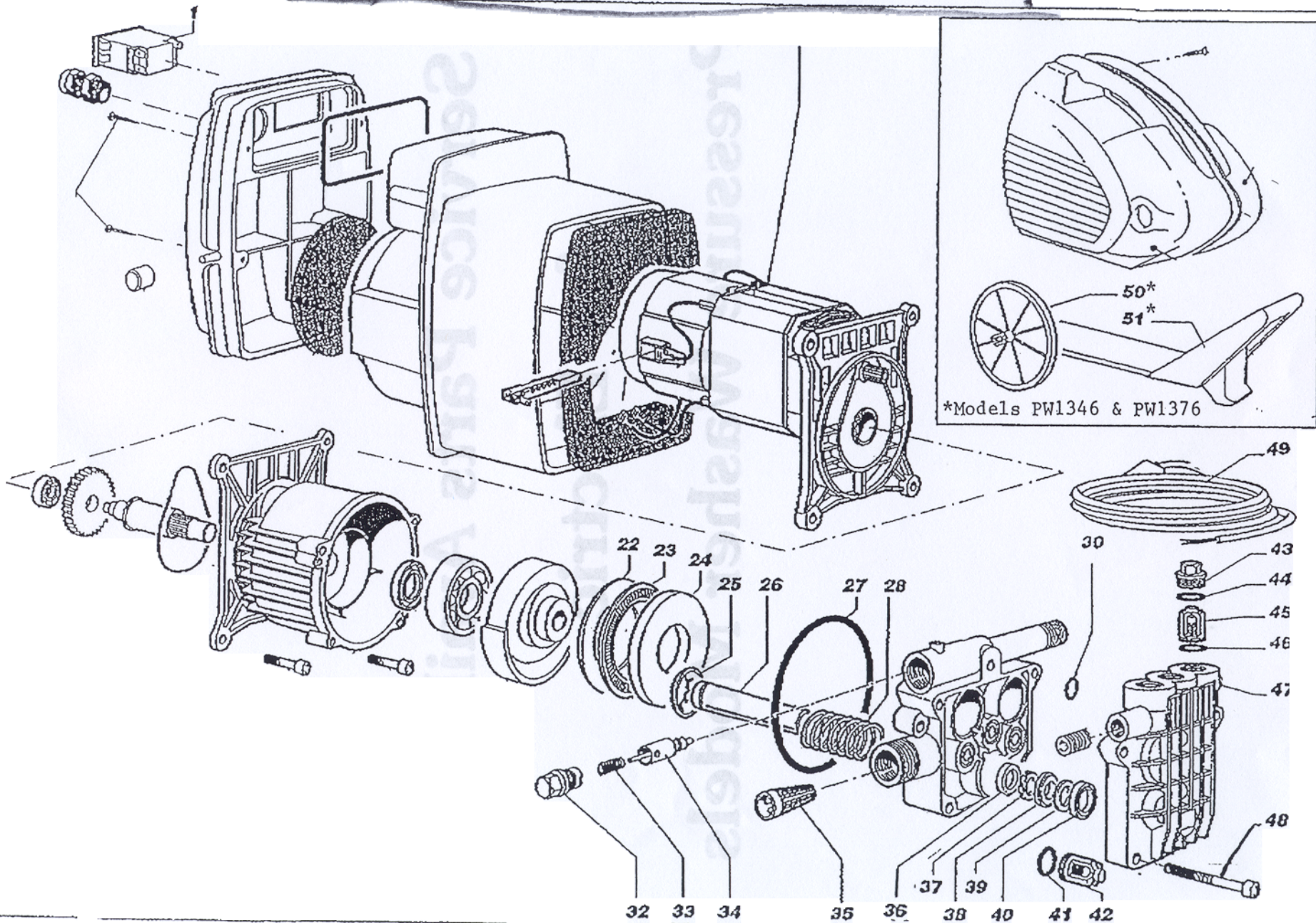
Campbell Hausfeld Electric Pressure Washers

Model Numbers PW1245, PW1345, PW1346, PW1365, PW1375, PW1376

Item # (Qty)	Part Numbers	Description
1	PM041900SV	On/off switch
6	PM021300AV	Motor assembly
32	PM057300SV	Unloader cap
33	PM057500SV	Unloader spring
34	PM057400SV	Unloader housing/poppet
35	PM014800SV	Suction filter
37 (3)	PM058500SV	Oil seal spacer
38 (3)	PM057700SV	Seat seal
39 (3)	PM057800SV	Antiextrusion ring
40 (3)	PM057900SV	Water seal kit
47	PM059800SV	Manifold
48 (4)	PM059900SV	Bolt
49	PM060100SV	Power Cord
50 (2)	PM014100SV	Wheel kit
51	PM014200SV	Handle
27, 30, 41 (3), 46 (3)	PM058000SV	O-ring kit
22, 23, 24	PM058100SV	Bearing assembly kit
25 (3), 26 (3), 28 (3)	PM058200SV	Piston assembly kit
41 (3), 42 (3)	PM058300SV	Inlet valve assembly kit
45 (3), 46 (3)	PM058400SV	Outlet valve assembly kit
36 (3)	PM057600SV	Oil seal kit
43 (3), 44 (3)	PM058600SV	Valve cap and o-ring kit

CAMPBELL HAUSFELD ELECTRIC PRESSURE WASHERS

Model Numbers PW1245, PW1345, PW1346, PW1365, PW1375, PW1376



Campbell Hausfeld Electric Pressure Washers

Model Numbers PW1245, PW1345, PW1346, PW1365, PW1375, PW1376

Item # (Qty)	Part Numbers	Description
1	PM041900SV	On/off switch
6	PM021300AV	Motor assembly
32	PM057300SV	Unloader cap
33	PM057500SV	Unloader spring
34	PM057400SV	Unloader housing/poppet
35	PM014800SV	Suction filter
37 (3)	PM058500SV	Oil seal spacer
38 (3)	PM057700SV	Seat seal
39 (3)	PM057800SV	Antiextrusion ring
40 (3)	PM057900SV	Water seal kit
47	PM059800SV	Manifold
48 (4)	PM059900SV	Bolt
49	PM060100SV	Power Cord
50 (2)	PM014100SV	Wheel kit
51	PM014200SV	Handle
27, 30, 41 (3), 46 (3)	PM058000SV	O-ring kit
22, 23, 24	PM058100SV	Bearing assembly kit
25 (3), 26 (3), 28 (3)	PM058200SV	Piston assembly kit
41 (3), 42 (3)	PM058300SV	Inlet valve assembly kit
45 (3), 46 (3)	PM058400SV	Outlet valve assembly kit
36 (3)	PM057600SV	Oil seal kit
43 (3), 44 (3)	PM058600SV	Valve cap and o-ring kit